

N° of screens you need for selection
(minimum 1 screen – maximum 4
screens in the same machine)

Meshopening of screen (mm)

% of product passing through each screen

PRODUCT

CAPACITY (Kg/H)

BULK DENSITY (Kg/Dm³)

TEMPERATURE (°C)

% UMIDITY

4° screen

3° screen

2° screen

1° screen

%

%

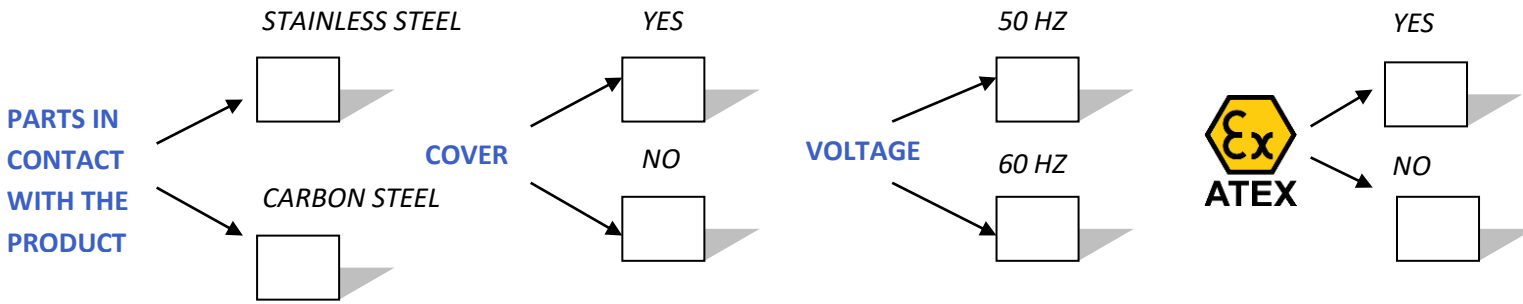
%

%

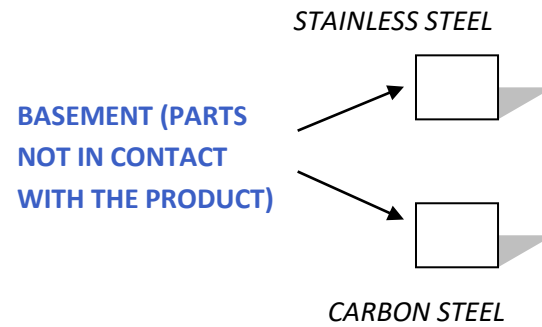
%



CHARACTERISTICS OF VIBRATING SIEVE



COMMENTS



Client:

Email:

Mob: